

ZZY REGULATOR

Self-Operated Pressure Regulating Valve

Valve description and operation

ZZY REGULATOR is a self-operated pressure regulating valve which can adjust the pressure as the set value with its medium own energy and without any outer energy. The most advantages of this regulator is that it can be suitable for the working place of no power and no pneumatic equipment available, additional, it can save energy for the end-user, and the pressure is adjustable within the set range.

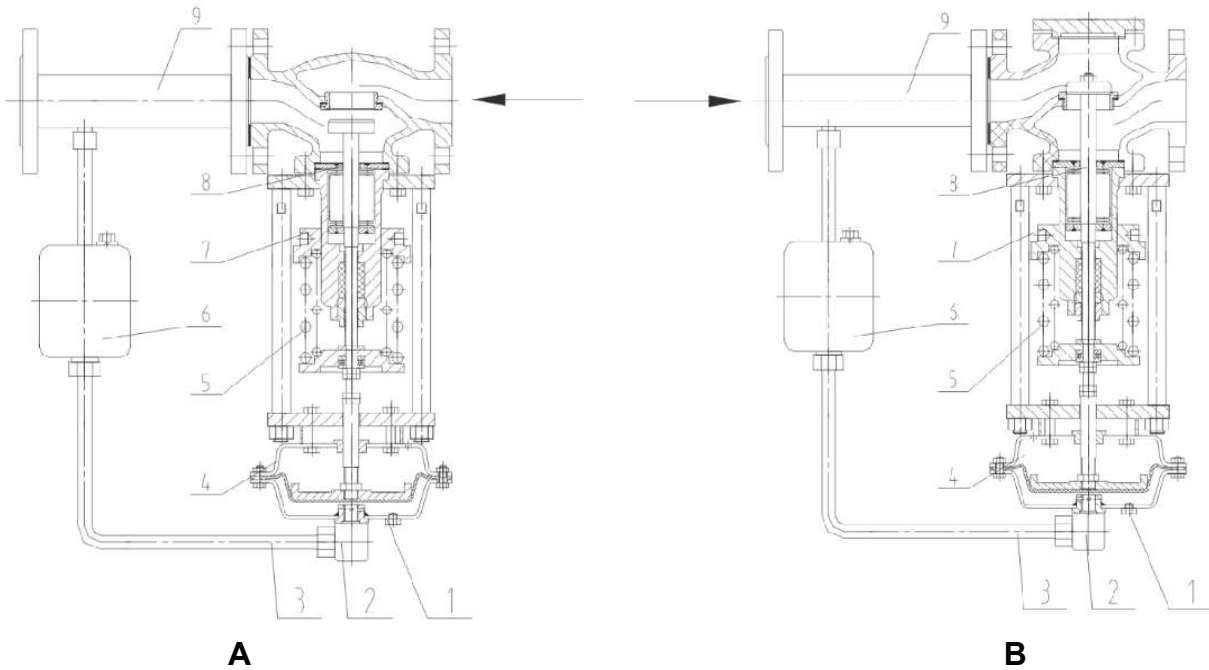
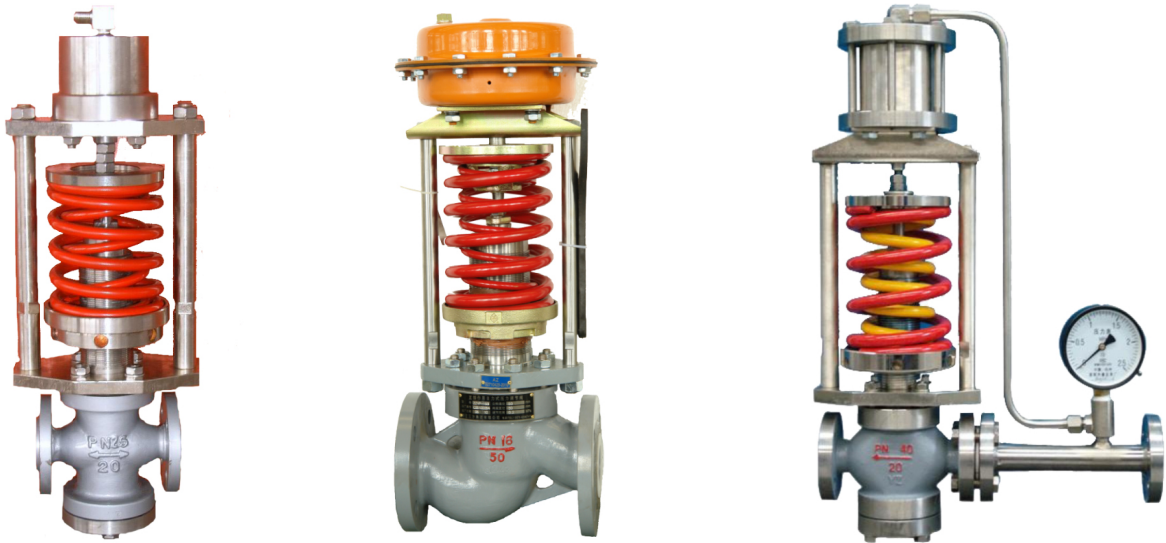
ZZY series regulators have the following types according to the different working conditions:

ZZYP(single-seat type), ZZYM(sleeve type) and ZZYN(double-seat type), and it also has three different covers such as common one, long-neck one and cooling type. For different applications, this regulator has three different types of actuators: film/piston/bellows.

This regulator has other advantages as smart and accurate regulating, taking up small space and simple operation and it's widely used in the pressure control of gas, steam or water in petroleum, chemical, electric power, metallurgy, food, textile, machinery, civil construction industry.

These regulators are designed and manufactured according to the standard of AMSE/API/BS/DIN/GB

杭州富阳金嘉流体设备有限公司
Hangzhou Fuyang Jinjia Fluid Equipment Co., LTD



1. Drain plug 2. Import plug 3. Pressure tube 4. Actuator 5. Spring
6. Condenser 7. Adjusting chuck 8. Valve core 9. Pipe

A: For in-port Pressure Control B: For out-port Pressure Control

杭州富阳金嘉流体设备有限公司

Hangzhou Fuyang Jinjia Fluid Equipment Co., LTD

Valve Parameters

Nominal diameter DN(mm)	20	25	32	40	50	65	80	100	125	150	200	250	300
Coefficient(KV)	5	8	12.5	20	32	50	80	125	160	320	450	630	900
Rated stroke(mm)	8		10		12	15	18	20	30	40	45	60	65
Nominal diameter DN(mm)	20												
The seat diameter DN(mm)	2	3	4	5	6	7	8	9	10	12	15	20	
Coefficient(KV)	0.02	0.08	0.12	0.20	0.32	0.5	0.80	1.20	1.80	2.80	4.0	5	
Nominal pressure	MPa		1.6, 2.5, 4.0, 6.4(6.3)/2.0, 5.0, 11.0										
	Bar		16, 25, 40, 64(63)/20, 50, 110										
	Lb		ANSI: Class150、Class300、Class600										
pressure range KPa	15~50、40~80、60~100、80~140、120~180、160~220、200~260、 240~300、280~350、330~400、380~450、430~500、480~560、540~620、 600~700、680~800、780~900、880~1000、900~1200、1000~1500、 1200~1600、1300~1800、1500~2100、												
Flow characteristic	Quick opening												
Adjust the accuracy	±5-10(%)												
Working TemperatureT(°C)	-60~350(°C) 350~550(°C)												
Leakage	Class IV; Class VI												

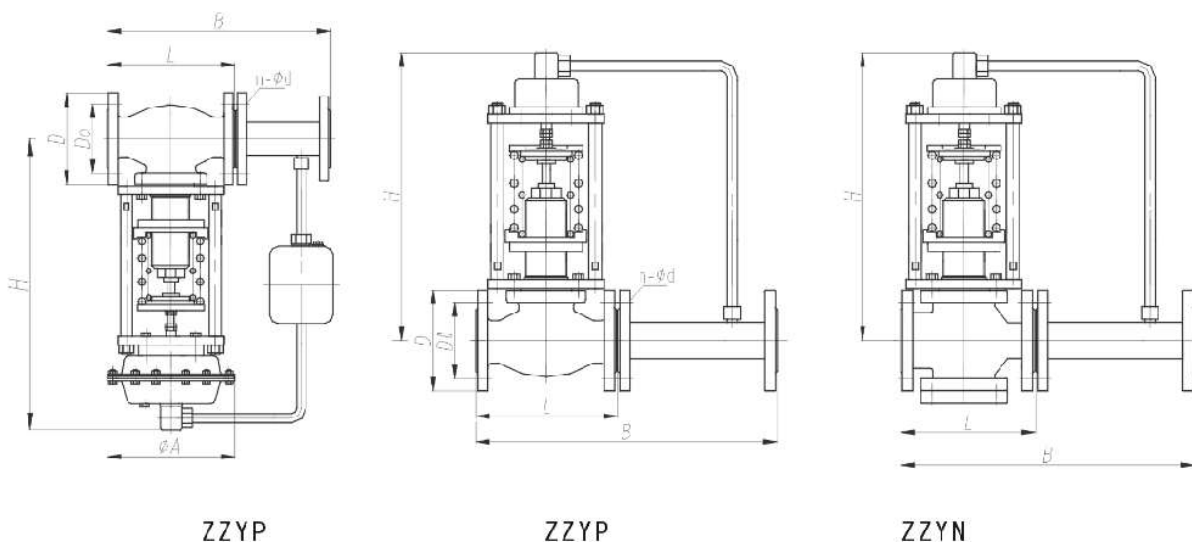
Valve Material

Parts	Material
Body/Cover	WCB(ZG230-450);WCC(ZG270-500);WC6(ZG15CRMO); CF8(304);CF8M(316);CF3(304L);CF3M(316L)

杭州富阳金嘉流体设备有限公司
Hangzhou Fuyang Jinjia Fluid Equipment Co., LTD

Core/Seat	304(0Cr18Ni9);316(0Cr17Ni12Mo2);316L(00Cr17Ni14Mo2)
Packing	PTFE;R.TFE;Graphite
Sealing Gasket	XB350;PTFE;
Membrane Cover	A3;304
Corrugated Diaphragm	Nitrile Butadiene Rubber
Spring	60Si2Mn;50CrVA
STem	304;316;316L;17-4PH

Overall Dimensions



Nominal diameter DN(mm)		20	25	32	40	50	65	80	100	125	150	200	250	300
B		383		512		603	862		1023	1380		1800	2000	2200
L(Pn16、25、40)		150	160	180	200	230	290	310	350	400	480	600	730	850
L(PN64)		230		260		300	340	380	430	500	550	650	775	900
pressure range KPa	15~140	H	475	520	540	710		780	840		880	940	950	
		A	280		308									
	120~300	H	455	500	520	690	760	800	870	900	950			
		A	230											

杭州富阳金嘉流体设备有限公司
Hangzhou Fuyang Jinjia Fluid Equipment Co., LTD

280~500	H	450	490	510	680	750	790	860	890	940		
	A	176			194		280					
480~1000	H	445	480		670	740	780	780	850	880	930	
	A	176			194			280				
Weight (Kg) (PN16)		26	37	42	72	90	112	130	169	285	495	675