


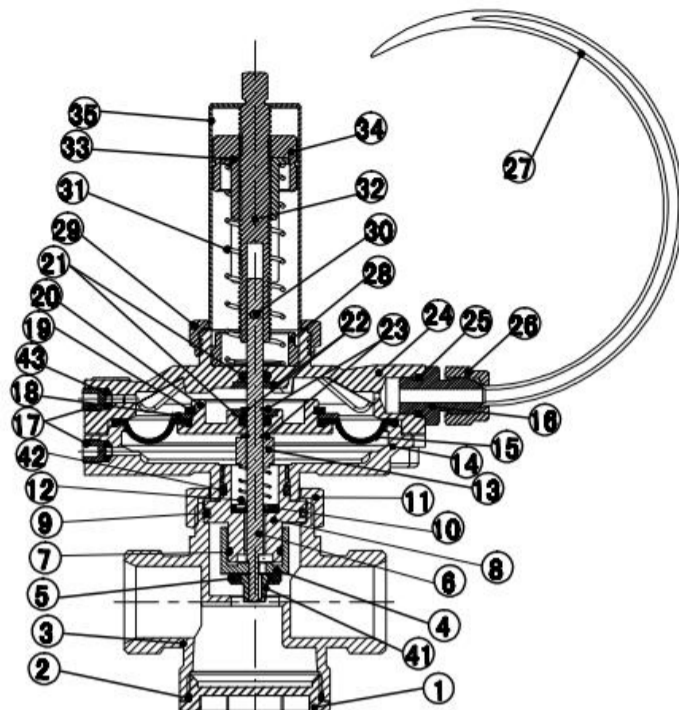
杭州富阳金嘉流体设备有限公司
Hangzhou Fuyang Jinjia Fluid Equipment Co., LTD

TECHNICAL FILE FOR BRASS PRESSURE DIFFERENTIAL VALVES

1:Description and Appearance	
1/2 " PN20	 <p>The differential pressure valve is especially suitable for household metering or automatic control systems. It does not need external energy, it automatically adjusts according to the pressure change of the medium being adjusted, automatically eliminates the residual pressure of the pipe network and the flow fluctuation caused by pressure fluctuation, to get constant pressure difference and stabilize the system operation.</p>
3/4 " PN20	
1 " PN20	
1 1/4 " PN20	
1 1/2 " PN20	
2 " PN20	
2: Parameters	
Nominal Diameter	1/2 " --2 "
Nominal Pressure	0.6--1.6MPa
Working Temperature	-10-150℃
Applicable medium	Cool or hot water
Flow characteristics	Quick open
Connection Type	Female thread(G Type)
3.Parts and Materials	

杭州富阳金嘉流体设备有限公司
Hangzhou Fuyang Jinjia Fluid Equipment Co., LTD

Valve Assembly

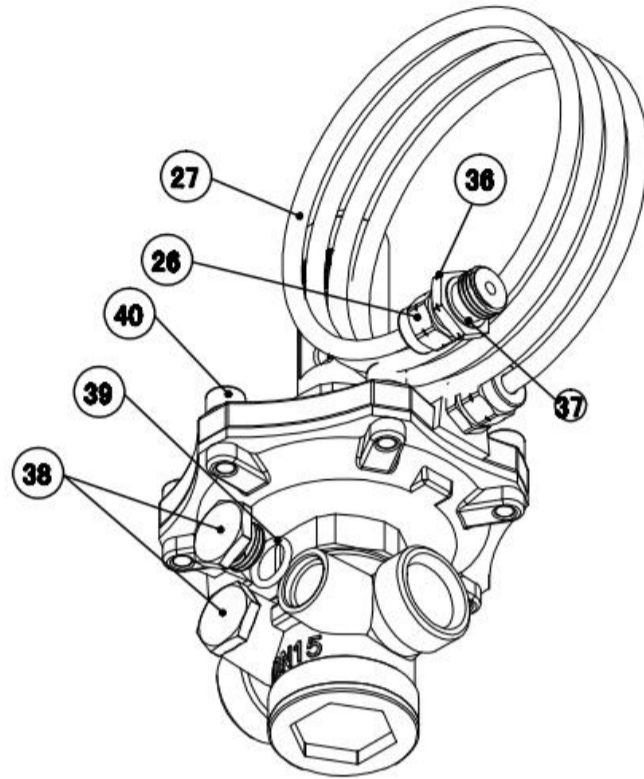


S/N	Name	Material	Remark	S/N	Name	Material	Remark
1	Blockage	Brass	Natural color	13	Spring top seat	Brass	Natural color
2	O-Ring	NBR	Black	14	Lower bonnet	Brass	Natural color
3	Lower valve body	Brass	Natural color	15	Rubber membrane	EPDM	Black
4	Spool base	Brass	Natural color	16	Exhaust joint	Brass	Natural color
5	Rubber gasket	NBR	Black	17	Socket head cap screws	SS304	Natural color
6	Spool	SS304	Natural color	18	Copper washer	Brass	Natural color
7	O-Ring	NBR	Black	19	Large circlip	SS304	Natural color
8	Connecting part	Brass	Natural color	20	Fixed seat	Brass	Natural color
9	O-Ring	NBR	Black	21	O-Ring	NBR	Black
10	Spring base	Brass	Natural color	22	Copper gasket	Brass	Natural color

杭州富阳金嘉流体设备有限公司
Hangzhou Fuyang Jinjia Fluid Equipment Co., LTD

11	Hexagonal cap	Brass	Natural color	23	Small circlip	SS304	Natural color
12	Small spring	SS304	Natural color	24	Upper bonnet	Brass	Natural color

Valve Assembly

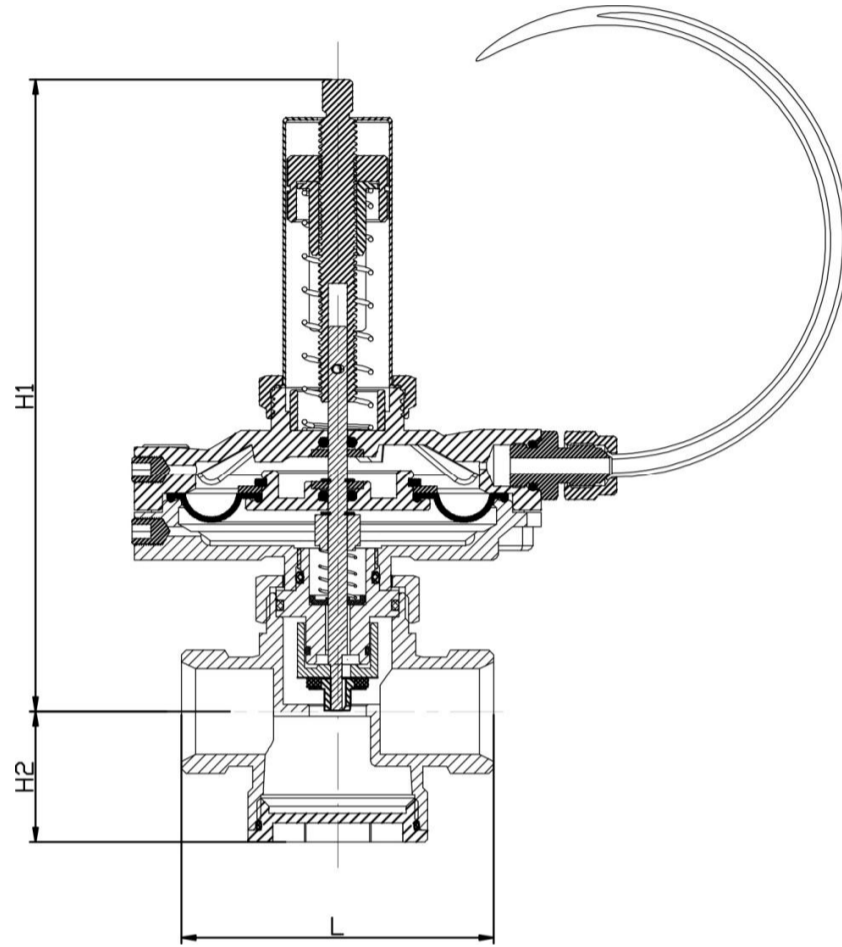


S/N	Name	Material	Remark	S/N	Name	Material	Remark
25	O-Ring	NBR	Black	35	Scale set	Brass	Natural color
26	Connecting cap	Brass	Natural color	36	Exhaust joint	Brass	Natural color
27	Copper tube	Copper	Natural color	37	O-Ring	NBR	Black
28	Copper ring	Brass	Natural color	38	Plug	Brass	Natural color
29	Hexagonal cap	Brass	Natural color	39	O-Ring	NBR	Black
30	Aluminum pin	Al alloy	Natural color	40	Hexagon socket screw	SS304	Natural color
31	Big spring	SS304	Natural color	41	Spool seal seat	Brass	Natural color
32	Screw	Brass	Natural color	42	O-Ring	NBR	Natural color

杭州富阳金嘉流体设备有限公司
Hangzhou Fuyang Jinjia Fluid Equipment Co., LTD


33	Positioning sleeve	Brass	Natural color	43	White washer	PTFE	Black
34	Adjustment nut	Brass	Natural color				

4. Outer Size



Specification	Connection thread	H1 mm	H2 mm	L mm	Weight-g(±5%)
1/2 "	G 3/4 "	133.5	27.5	66	1230
3/4 "	G 1 "	133.5	27.5	76	1302
1 "	G 1-1/4 "	133.5	27.5	76	1352

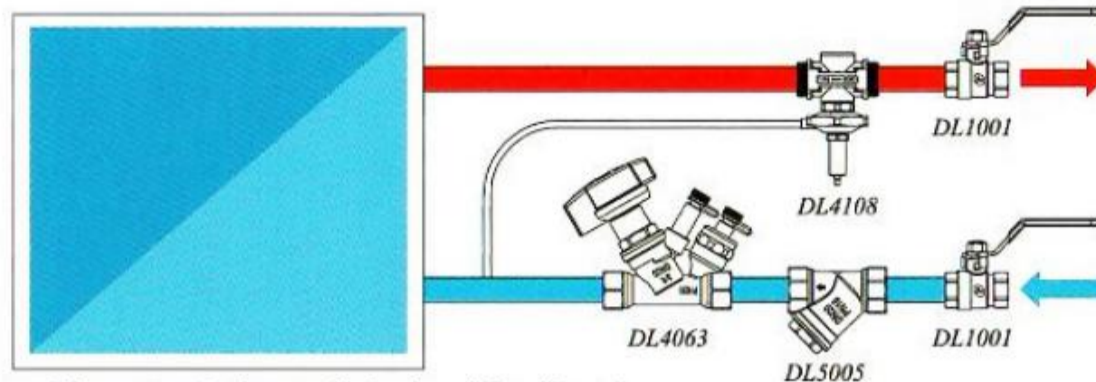
杭州富阳金嘉流体设备有限公司
Hangzhou Fuyang Jinjia Fluid Equipment Co., LTD

1 1/4 "	G 1-1/2 "	151	37	114	1972
1 1/2 "	G 2 "	161	43.7	132	2612
2 "	G 2-1/2 "	161	43.7	140	3207
5. Packing					
5.1 Each valve packed in Pearl cotton and box, several boxes packed in carton, then in pallet;					
5.2 Loading/Unloading and transportation must be handled with care;					
5.3 Box, Carton sizes and capacity					
Specification	Box Size(cm)	Capacity /box (pc)	Outer Carton Size (cm)	Capacity/ Carton (pc)	Remark
1/2"	21*17*12.5	1	43.5*35.5*39	12	 Packed in Pearl cotton and box
3/4"	21*17*12.5	1	43.5*35.5*39	12	
1"	21*17*12.5	1	43.5*35.5*39	12	
1 1/4"	27*21*12.5	1	43.5*28.5*39	6	
1 1/2"	27*21*12.5	1	43.5*28.5*39	6	
2"	27*21*12.5	1	43.5*28.5*39	6	
6. Logo/Carton Label/wooden case Label					
6.1 Valve body must be with buyer' s lazer logo					
6.2 Carton labels must indicate the product name/size/ and it must be printed or tied on the two fronts of the carton					
6.3 Pallet label must indicate the buyer name, product name, size and quantity					
7. Testing					
7.1 Test Medium: Compressed air					
7.2 Filling and other joint sealing parts test: 2.3Mpa pressure lasting3—5min, the valve should be no leakage					

7.3 Compressive strength test: 3.0Mpa pressure lasting 3—5min, the valve should be no leakage

7.4 Sealing surface seal test: 0.6-0.8mpa lasting 3—5min, the valve should be no leakage

8. Installation and instruction



Can be used in central air conditioning / fan / heating system

8.1、 The medium flow direction must be consistent with the arrow on valve body.;

8.2、 This valve must be installed on the return pipe. The valve is connected to the pressure guiding pipe. The other end of the pressure guiding pipe is connected with the water supply pipe. It is recommended to install a 1/2 ball valve on the water supply end of the pressure guiding pipe to start the function of eliminating the blockage.

8.3、 A filter must be installed on the water supply pipe in front of the pressure guiding pipe to avoid the water quality being too poor and the valve will lose its automatic adjustment function.;

8.4、 If the flow is too large or too small, the possible cause is that the debris of the pipe component is stuck on the valve plug. The 1/2 ball valve can be closed for 3-5 minutes. If it is lighter, it will be blocked. Can be automatically eliminated, if it can not be eliminated, it is necessary to open the valve to check to eliminate the blockage;

杭州富阳金嘉流体设备有限公司
Hangzhou Fuyang Jinjia Fluid Equipment Co., LTD

9. Warranty

9. 1 Warranty period:one year from the B/L date;

9. 2 If there are some big problem with the valves,the seller must give some additional valves to the buyer free in the next shipment,but the quantity must be less than 3% of the total quantity of the relative size;

9. 3 Identification and resolution of quality claims:The buyer must provide enough pictures/video or other evidence to prove the problems to the seller. If the two parties cannot reach an agreement, they will submit a third party test.and all test charges will be shared by two parties.